



# SINKS

## CONVENIENCE STORE SINKS

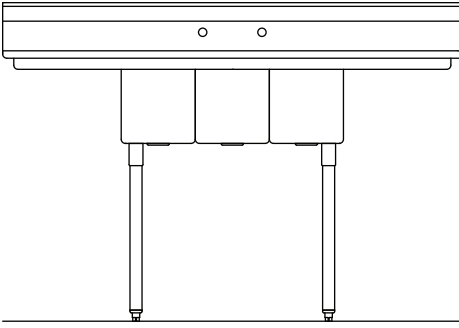


Item #:

Qty #:

Model #:

Project #:



### SINK FEATURES:

Fully fabricated bowl for the full metal thickness throughout the bowl and greater durability than a drawn sink

9" high backsplash, with 2" return to wall at 45 degrees with easy installation tile edging

2 1/2 high. 180 degree sanitary rolled rim at all free edges

Leg assemblies located directly under the sink bowls for greater load support

Legs are 1 5/8" diameter tubing with adjustable bullet feet

All corners are covered at 5/8" radius, welded and polished to form a one-piece sanitary unit

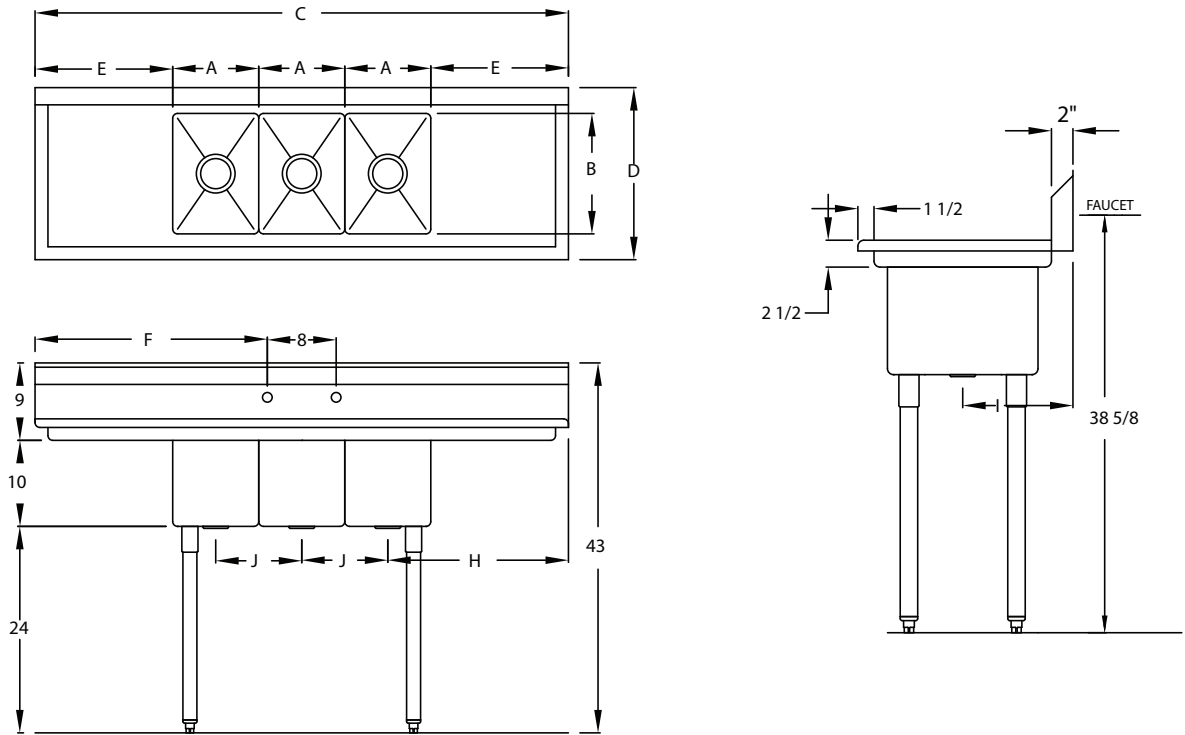
All sinks are furnished with basket drains and 1" faucet holes punched in backsplash on 8" centers as required

Sinks with drainboards 30" and longer have additional legs under each drainboard for added strength

18 gauge 304 tubs, 12" bowl depth, galvanized legs (stainless steel available)

BOWL SIZES	DB SIZE	O. A. DIM.	MODEL	WT.
10 X 14 X 10	12"	54" X 20"	RJ-3-1014-12D	90
	16"	62" X 20"	RJ-3-1014-16D	95
12 X 16 X 10	12"	60" X 22"	RJ-3-1016-12D	100
	18"	72" X 22"	RJ-3-1016-18D	105

# DIMENSIONS & SPECIFICATIONS



DIMENSIONS ARE TYPICAL (TOL. +/- 1/2")

MODEL	A	B	C	D	E	F	G	H	I	J
RJ-3-1014-12D	10	14	54	20	12	27	N/A	17	10 1/4	10
RJ-3-1014-16D	10	14	62	20	16	31	N/A	21	10 1/4	10
RJ-3-1016-12D	12	16	60	22	12	30	N/A	18	11 1/4	12
RJ-3-1016-18D	12	16	72	22	18	36	N/A	24	11 1/4	12